

Y2/YE2/YE3 SERIES(IE1/IE2/IE3)

THREE-PHASE CAST IRON INDUCTION MOTOR

Operating Conditions:

Ambient temperature: $-15^{\circ}\text{C} \leq \sim \leq 40^{\circ}\text{C}$

Rated voltage: 380V or any voltage between 220V - 760V

Rated frequency: 50Hz, 60Hz

Protection class: IP44, IP54, IP55

Insulation class: B, F, H

Altitude: not exceed 1000 m

Cooling method: ICO141

Duty: S1 (continuous)

Connection: Star - connection for up to 3KW , delta-connection for 4KW and above



Y2 Series IE1 Efficiency Motors Technical Data (400V/50HZ)

Model	Output (kW)	Rated current (A)	Rotation speed(r/min)	Efficiency 100% load (%)	Efficiency 75% load (%)	Efficiency 50% load (%)	Power factor (Φ)	Rated torque (N.m)	Tstart/Tn (Times)	Tmin/Tn (Times)	Tmax/Tn (Times)	Is/In (Times)	Nosie (dB)	Net weight (kg)	Moment of inertia(kg*m ²)
Y2 801-2	0.75	2.06	2840	72.1	73.3	69.0	0.73	2.52	2.2	1.8	2.3	6	67	14.3	0.00093
Y2 802-2	1.1	2.90	2840	75	77.7	74.8	0.73	3.70	2.2	1.8	2.3	7	67	16.0	0.00110
Y2 90S-2	1.5	3.79	2840	77.2	78.5	75.1	0.74	5.04	2.2	1.8	2.3	7	72	18.5	0.00184
Y2 90L-2	2.2	5.04	2840	79.7	80.9	78.8	0.79	7.40	2.2	1.8	2.3	7.5	72	22.0	0.00239
Y2 100L-2	3	6.56	2840	81.5	82.8	80.1	0.81	10.09	2.2	1.8	2.3	7.5	76	32.0	0.00368
Y2 112M-2	4	8.58	2900	83.1	84.9	82.6	0.81	13.17	2.2	1.8	2.3	7.5	77	41.0	0.01613
Y2 132S1-2	5.5	11.16	2900	84.7	85.5	82.8	0.84	18.11	2.2	1.8	2.3	7.5	80	57.5	0.01106
Y2 132S2-2	7.5	14.81	2900	86	87.1	84.7	0.85	24.70	2.2	1.8	2.3	7.5	80	62.0	0.01468
Y2 132M1-2	9.2	17.75	2900	87	88.2	86.1	0.86	30.30	2.2	1.4	2.3	7.5	80	68.5	0.01767
Y2 160M1-2	11	20.14	2945	87.6	88.9	86.6	0.90	35.67	2.2	1.4	2.3	8.5	86	111.0	0.04150
Y2 160M2-2	15	27.74	2945	88.7	90.0	88.1	0.88	48.64	2.2	1.4	2.3	9	86	122.0	0.05384
Y2 160L-2	18.5	35.18	2945	89.3	91.0	89.5	0.85	59.99	2.2	1.4	2.3	10	86	140.0	0.06436
Y2 180M-2	22	39.25	2945	89.9	89.9	87.6	0.90	71.34	2.2	1.3	2.3	8	89	153.0	0.08110
Y2 200L1-2	30	53.0	2950	90.7	91.4	89.7	0.90	97.12	2.0	1.3	2.3	7.5	92	218.0	0.15138
Y2 200L2-2	37	65.1	2950	91.2	92.7	91.5	0.90	119.8	2.0	1.3	2.3	7.5	92	230.0	0.17351
Y2 225M-2	45	78.7	2955	91.7	91.4	89.7	0.90	145.4	2.0	1.3	2.3	7.5	92	303.0	0.24178
Y2 250M-2	55	95.8	2970	92.1	92.5	90.7	0.90	176.9	2.0	1.3	2.3	9	93	391.0	0.38903
Y2 280S-2	75	129.7	2970	92.7	92.9	91.1	0.90	241.2	2.0	1.3	2.3	9	94	530.0	0.69871
Y2 280M-2	90	155.2	2970	93	92.8	90.9	0.90	289.4	2.0	1.3	2.3	9	94	572.0	0.79539
Y2 315S-2	110	189.1	2970	93.3	94.0	92.5	0.90	353.7	2.0	1.5	2.2	7	96	900.0	1.41216
Y2 315M-2	132	223.9	2970	93.5	94.1	92.8	0.91	424.4	2.0	1.5	2.2	7	96	970.0	1.55013
Y2 315L1-2	160	273.6	2970	93.8	94.2	93.0	0.90	514.5	2.0	1.5	2.2	7	99	1010.0	1.71199
Y2 315L2-2	200	341.2	2970	94	94.3	93.1	0.90	643.1	2.0	1.5	2.2	7	99	1070.0	1.90623
Y2 355M1-2	220	375.3	2980	94	94.3	93.1	0.90	705.0	2.0	1.2	2.2	7	103	1590.0	2.95585
Y2 355M2-2	250	426.5	2980	94	94.4	93.2	0.90	801.2	2.0	1.2	2.2	7	103	1650.0	3.14272
Y2 355L1-2	280	477.7	2980	94	94.5	93.2	0.90	897.3	2.0	1.2	2.2	7	103	1715.0	3.47911
Y2 355L2-2	315	537.4	2980	94	94.5	93.2	0.90	1009.5	2.0	1.2	2.2	7	103	1780.0	3.85287

Y2 Series IE1 Efficiency Motors Technical Data (400V/50HZ)

Model	Output (kW)	Rated current (A)	Rotation speed (r/min)	Efficiency 100% load(%)	Efficiency 75% load(%)	Efficiency 50% load(%)	Power factor(Φ)	Rated torque(N.m)	T _{st} /T _n (Times)	T _{min} /T _n (Times)	T _{max} /T _n (Times)	I _{st} /I _n (Times)	Nosie (dB)	Net weight (kg)	Moment of inertia(kg*m ²)
Y2 801-4	0.55	1.51	1420	70	72.5	70.2	0.75	3.70	2.3	2.0	2.6	6	58	13.5	0.00141
Y2 802-4	0.75	2.00	1420	72.1	79.2	76.8	0.75	5.04	2.3	2.0	2.6	6	58	14.6	0.00168
Y2 90S-4	1.1	2.82	1430	75	77.8	74.5	0.75	7.35	2.3	2.0	2.6	6.5	61	18.0	0.00238
Y2 90L-4	1.5	3.69	1430	77.2	80.0	77.3	0.76	10.02	2.3	2.0	2.6	6.5	61	23.0	0.00335
Y2 100L1-4	2.2	4.98	1430	79.7	79.3	75.6	0.80	14.69	2.2	2.0	2.6	6.5	64	32.0	0.00688
Y2 100L2-4	3	6.64	1435	81.5	82.6	79.9	0.80	19.97	2.2	2.0	2.6	7.5	64	35.0	0.00883
Y2 112M-4	4	8.47	1435	83.1	86.2	84.7	0.82	26.62	2.2	2.0	2.6	7.5	65	44.0	0.01311
Y2 132S-4	5.5	11.29	1440	84.7	87.5	85.6	0.83	36.48	2.2	1.6	2.6	7.5	71	61.0	0.02679
Y2 132M-4	7.5	14.81	1440	86	88.6	86.9	0.85	49.74	2.2	1.6	2.6	7.5	71	76.0	0.03694
Y2 132M2-4	9.2	18.17	1440	86	88.6	85.8	0.85	61.01	2.2	1.6	2.6	7.5	71	79.0	0.04412
Y2 160M-4	11	21.58	1465	87.6	89.7	88.8	0.84	71.71	2.2	1.6	2.6	8.5	75	115.0	0.07659
Y2 160L-4	15	28.06	1465	88.7	90.8	90.2	0.87	97.78	2.2	1.6	2.6	8	75	137.0	0.10379
Y2 180M-4	18.5	33.98	1465	89.3	90.6	89.3	0.88	120.6	2.2	1.6	2.6	8	76	149.5	0.14084
Y2 180L-4	22	40.14	1465	89.9	90.7	89.3	0.88	143.4	2.2	1.6	2.6	8	76	165.0	0.16541
Y2 200L-4	30	56.16	1475	90.7	92.3	91.6	0.85	194.2	2.2	1.6	2.6	8	79	216.5	0.26594
Y2 225S-4	37	68.9	1480	91.2	90.9	88.8	0.85	238.8	2.2	1.3	2.6	7	81	293.0	0.50439
Y2 225M-4	45	83.3	1480	91.7	92.6	91.0	0.85	290.4	2.2	1.3	2.6	7	81	335.0	0.57909
Y2 250M-4	55	100.2	1480	92.1	92.4	90.7	0.86	354.9	2.2	1.3	2.6	8	83	397.0	0.69098
Y2 280S-4	75	131.2	1480	92.7	93.1	93.2	0.89	484.0	2.2	1.3	2.6	9	86	540.0	1.41285
Y2 280M-4	90	155.2	1480	93	93.4	93.5	0.90	580.7	2.2	1.3	2.6	9	86	620.0	1.74607
Y2 315S-4	110	189.1	1480	93.3	93.8	93.2	0.90	709.8	2.0	1.3	2.3	7	93	915.0	2.90486
Y2 315M-4	132	226.4	1480	93.5	94.0	93.6	0.90	851.8	2.0	1.3	2.3	7	93	1005.0	3.29579
Y2 315L1-4	160	273.6	1480	93.8	94.0	93.5	0.90	1032.4	2.0	1.3	2.3	7	97	1068.0	3.73367
Y2 315L2-4	200	341.2	1480	94	94.3	93.9	0.90	1290.5	2.0	1.3	2.3	7	97	1210.0	4.67201
Y2 355M1-4	220	379.6	1480	94	94.5	94.0	0.89	1419.6	2.0	1.2	2.3	7	101	1560.0	6.87200
Y2 355M2-4	250	431.3	1480	94	94.5	94.0	0.89	1613.2	2.0	1.2	2.3	7	101	1600.0	7.63820
Y2 355L1-4	280	483.1	1480	94	94.5	94.0	0.89	1806.8	2.0	1.2	2.3	7	101	1650.0	8.31927
Y2 355L2-4	315	537.4	1485	94	94.6	94.1	0.90	2025.8	2.0	1.2	2.3	7	101	1700.0	9.08547
Y2 355L3-4	355	605.7	1485	94	94.6	94.1	0.90	2283.0	2.0	1.2	2.3	7	101	1780.0	10.10708
Y2 801-6	0.37	1.49	900	59.7	60.5	55.7	0.60	3.93	2.0	1.8	2.2	5.5	54	14.0	0.00231
Y2 802-6	0.55	1.95	900	65.8	66.1	62.3	0.62	5.84	2.0	1.8	2.2	5.5	54	15.0	0.00284
Y2 90S-6	0.75	2.34	935	70	70.4	65.8	0.66	7.66	2.0	1.8	2.2	5.5	57	19.0	0.00335
Y2 90L-6	1.1	3.20	935	72.9	74.2	70.8	0.68	11.24	2.0	1.8	2.2	5.5	57	21.6	0.00461
Y2 100L-6	1.5	3.94	940	75.2	75.7	72.4	0.73	15.24	2.0	1.8	2.2	5.5	61	29.5	0.00783
Y2 112M-6	2.2	5.68	940	77.7	79.3	76.2	0.72	22.35	2.0	1.8	2.2	6	65	38.0	0.01383
Y2 132S-6	3	7.24	940	79.7	80.2	76.8	0.75	30.48	2.0	1.8	2.2	6	69	49.6	0.02855
Y2 132M1-6	4	9.58	950	81.4	82.8	80.1	0.74	40.21	2.0	1.8	2.5	6	69	59.4	0.03601
Y2 132M2-6	5.5	12.91	950	83.1	83.0	80.6	0.74	55.29	2.0	1.8	2.5	7.5	69	65.0	0.04890
Y2 160M-6	7.5	16.82	965	84.7	87.0	85.2	0.76	74.22	2.0	1.3	2.5	7.5	73	112.0	0.08726
Y2 160L-6	11	24.18	970	86.4	86.7	84.4	0.76	108.3	2.0	1.3	2.5	7.5	73	122.4	0.10963

Y2 Series IE1 Efficiency Motors Technical Data (400V/50HZ)

Model	Output (kW)	Rated current (A)	Rotation speed (r/min)	Efficiency 100% load(%)	Efficiency 75% load(%)	Efficiency 50% load(%)	Power factor(Φ)	Rated torque(N.m)	T _{st} /T _n (Times)	T _{min} /T _n (Times)	T _{max} /T _n (Times)	I _{st} /I _n (Times)	Nosie (dB)	Net weight (kg)	Moment of inertia(kg·m ²)
Y2 180L-6	15	29.74	970	87.7	89.1	87.8	0.83	147.7	1.8	1.2	2.2	8	73	161.5	0.24936
Y2 200L1-6	18.5	34.25	970	88.6	90.9	90.3	0.88	182.1	1.8	1.2	2.2	8	76	208.3	0.36147
Y2 200L2-6	22	40.45	970	89.2	91.0	90.5	0.88	216.6	1.8	1.2	2.2	8	76	218.2	0.39445
Y2 225M-6	30	55.2	975	90.2	91.2	89.9	0.87	293.8	1.8	1.2	2.2	7	76	289.0	0.55616
Y2 250M-6	37	70.0	980	90.8	90.7	88.6	0.84	360.6	2.0	1.3	2.2	7.5	78	380.0	0.96477
Y2 280S-6	45	83.6	980	91.4	92.6	91.6	0.85	438.5	2.0	1.3	2.2	7.5	80	489.5	1.68116
Y2 280M1-6	55	100.4	980	91.9	93.3	92.5	0.86	536.0	2.0	1.3	2.2	7.5	80	560.0	1.99928
Y2 315S-6	75	135.9	985	92.6	93.4	92.2	0.86	727.2	2.0	1.3	2.3	7	85	806.0	3.25976
Y2 315M-6	90	162.6	985	92.9	93.5	92.5	0.86	872.6	2.0	1.3	2.3	7	85	912.0	3.90933
Y2 315L1-6	110	197.9	985	93.3	93.5	92.3	0.86	1066.5	2.0	1.3	2.3	7	85	965.0	4.54331
Y2 315L2-6	132	236.9	985	93.5	93.6	92.5	0.86	1279.8	2.0	1.3	2.3	7	85	1070.0	5.44899
Y2 355M1-6	160	276.6	990	93.8	93.5	92.7	0.89	1543.4	2.0	1.2	2.2	8	92	1537.0	8.97637
Y2 355M2-6	200	341.2	990	94	93.5	92.8	0.90	1929.3	2.0	1.2	2.2	8	92	1720.0	11.00175
Y2 355L-6	250	426.5	990	94	93.6	92.8	0.90	2411.6	2.0	1.2	2.2	8	92	1880.0	13.56011
Y2 801-8	0.18	0.8	680	51	52.5	48.5	0.61	3.5	1.5	1.3	1.7	2.8	52	15	0.00214
Y2 802-8	0.25	1.1	680	56	58.2	52.5	0.61	3.5	1.6	1.3	2	2.7	52	16.1	0.00249
Y2 90S-8	0.37	1.3	680	63	63.8	58.5	0.63	5.2	1.6	1.3	1.8	2.8	56	19.2	0.00335
Y2 90L-8	0.55	1.9	680	66	67.2	62.3	0.65	7.7	1.6	1.3	1.8	3	56	21.8	0.00461
Y2 100L1-8	0.75	2.4	710	66	67.5	62.5	0.67	10.1	1.7	1.3	2.1	3.5	59	27.9	0.00688
Y2 100L2-8	1.1	3.2	710	72	72.8	67.7	0.69	14.8	1.7	1.3	2.1	3.5	59	32	0.00925
Y2 112M-8	1.5	4.3	710	74	73.2	68.6	0.68	20.2	1.8	1.2	2.1	4.2	61	39.1	0.01552
Y2 132S-8	2.2	6.0	720	75	75.5	71.1	0.71	29.2	2	1.2	2	5.5	64	58	0.03408
Y2 132M-8	3	7.7	720	77	77.2	72.6	0.73	39.8	2	1.2	2	5.5	64	64	0.04522
Y2 160M1-8	4	11.1	730	80	79.5	75.6	0.65	52.33	1.6	1.2	2.2	6	68	108	0.07620
Y2 160M2-8	5.5	14.63	730	83.5	81.6	77.7	0.65	71.95	1.6	1.2	2.2	6	68	124	0.09095
Y2 160L-8	7.5	19.6	730	85	82.8	79.5	0.65	98.12	1.6	1.2	2.2	6	68	136	0.10594
Y2 180L-8	11	24.1	730	88	87.3	84.9	0.75	143.9	2	1.4	2	6	70	174	0.25695
Y2 200L-8	15	29.7	730	89	89.3	88	0.82	196.2	1.6	1.3	2.2	7	73	220	0.36147
Y2 225S-8	18.5	37.1	735	90	88.8	87.2	0.80	240.4	1.6	1.3	2	6	73	285	0.49078
Y2 225M-8	22	43.9	735	90.5	90.4	89.1	0.80	285.9	1.6	1.3	2	6	73	310	0.58885
Y2 250M-8	30	59.5	735	91	91.9	90.8	0.80	389.8	1.6	1.0	1.8	6	75	395	1.02008
Y2 280S-8	37	74.8	740	91.5	91.2	90.5	0.78	477.5	1.9	1.2	2	6.5	76	523	1.88979
Y2 280M-8	45	90.5	740	92	92.3	90.8	0.78	580.7	1.9	1.2	2	6.5	76	575	2.26008
Y2 315S-8	55	106.9	740	92.8	92.5	91.2	0.80	709.8	2	1.3	2	6.5	82	842	3.89374
Y2 315M-8	75	145.5	740	93	92.6	91.1	0.80	967.9	2	1.3	2	6.5	82	998.8	5.26785
Y2 315L1-8	90	173.1	740	93.8	93.9	92.3	0.80	1161.5	2	1.3	2	6.5	82	1096.8	6.26411
Y2 315L2-8	110	211.1	740	94	93.2	92.2	0.80	1419.6	2	1.3	2	6.5	82	1191.2	7.44150
Y2 355M1-8	132	254.2	740	93.7	93.6	92.5	0.80	1703.5	1.8	1.3	2	6.5	90	1496.8	8.86978
Y2 355M2-8	160	306.4	740	94.2	93.6	92.3	0.80	2064.9	1.8	1.3	2	6.5	90	1592	10.04236
Y2 355L-8	200	381.8	740	94.5	93.1	92.5	0.80	2581.1	1.8	1.3	2	6.5	90	1752	12.28093

YE2 Series IE2 Efficiency Motors Technical Data (400V/50Hz)

Model	Output (kW)	Rated current (A)	Rotation speed (r/min)	Efficiency 100% load(%)	Efficiency 75% load(%)	Efficiency 50% load(%)	Power factor(Φ)	Rated torque(N.m)	Tst / Tn (Times)	Tmin/ Tn (Times)	Tmax/ Tn (Times)	Ist/In (Times)	Nosie (dB)	Net weight (kg)	Moment of inertia(kg*m ²)
YE2 801-2	0.75	1.73	2840	77.4	77.5	73.8	0.81	2.52	2.5	2.1	2.6	6	67	14.5	0.00084
YE2 802-2	1.1	2.43	2880	79.6	80.5	78.6	0.82	3.65	2.5	1.8	2.6	7.5	67	16.5	0.00119
YE2 90S-2	1.5	3.25	2880	81.3	81.9	81.0	0.82	4.97	2.5	1.8	2.6	7	72	18.5	0.00184
YE2 90L-2	2.2	4.60	2880	83.2	83.6	82.5	0.83	7.30	2.5	1.4	2.6	7.5	72	22.0	0.00239
YE2 100L-2	3	6.17	2890	84.6	85.5	84.0	0.83	9.91	2.5	2.0	2.8	7.5	76	33.0	0.00410
YE2 112M-2	4	7.65	2910	85.8	85.3	82.7	0.88	13.13	2.5	1.8	2.8	9.5	77	41.0	0.00607
YE2 132S1-2	5.5	10.37	2910	87	88.1	86.0	0.88	18.05	2.4	1.8	2.8	8.5	80	59.5	0.01251
YE2 132S2-2	7.5	13.96	2920	88.1	89.0	87.3	0.88	24.53	2.5	1.8	2.8	10	80	64.0	0.01613
YE2 132M1-2	9.2	17.13	2920	88.1	88.9	87.0	0.88	30.09	2.5	1.4	3.0	10	80	71.0	0.01758
YE2 160M1-2	11	19.73	2930	89.4	89.5	89.0	0.90	35.85	2.5	1.4	2.8	8.5	86	113.0	0.04561
YE2 160M2-2	15	26.64	2940	90.3	90.0	88.8	0.90	48.72	2.5	1.3	2.8	9	86	124.0	0.06206
YE2 160L-2	18.5	32.64	2940	90.9	91.3	90.0	0.90	60.09	2.5	1.4	2.8	9.5	86	140.0	0.07528
YE2 180M-2	22	38.6	2945	91.3	91.2	89.8	0.90	71.34	2.5	1.4	2.8	9	89	168.0	0.08110
YE2 200L1-2	30	52.3	2945	92	92.1	90.9	0.90	97.3	2.0	1.3	2.5	7	92	235.0	0.14253
YE2 200L2-2	37	64.2	2945	92.5	91.5	92.3	0.90	120.0	2.5	1.5	2.5	7.5	92	246.0	0.16466
YE2 225M-2	45	77.7	2950	92.9	92.4	91.6	0.90	145.7	2.5	1.3	2.4	7.5	92	321.0	0.24906
YE2 250M-2	55	94.6	2960	93.2	93.5	92.0	0.90	177.4	2.3	1.4	2.6	8.5	93	419.0	0.43328
YE2 280S-2	75	128.2	2960	93.8	93.7	92.4	0.90	242.0	2.5	1.8	2.6	9	94	571.0	0.79186
YE2 280M-2	90	153.4	2960	94.1	94.3	93.2	0.90	290.4	2.5	1.8	2.6	9.5	94	638.0	0.90716
YE2 315S-2	110	187.1	2960	94.3	94.5	93.2	0.90	354.9	2.0	1.4	2.3	6	96	927.0	1.50928
YE2 315M-2	132	223.8	2960	94.6	94.8	93.4	0.90	425.9	2.0	1.4	2.3	6	96	1006.0	1.67962
YE2 315L1-2	160	270.7	2960	94.8	95.0	93.7	0.90	516.2	2.0	1.4	2.3	6	99	1060.0	1.87385
YE2 315L2-2	200	337.6	2960	95	95.3	93.9	0.90	645.3	1.8	1.3	2.3	5.5	99	1130.0	2.13283
YE2 355M1-2	220	371.4	2960	95	95.5	93.8	0.90	709.8	1.8	1.3	2.3	5.5	103	1590.0	2.95585
YE2 355M2-2	250	422.0	2960	95	95.5	93.9	0.90	806.6	1.8	1.3	2.3	5.5	103	1650.0	3.14272
YE2 355L1-2	280	472.7	2960	95	95.6	93.9	0.90	903.4	1.8	1.3	2.3	5.5	103	1715.0	3.47911
YE2 355L2-2	315	531.8	2960	95	95.6	93.9	0.90	1016.3	1.8	1.3	2.3	5.5	103	1780.0	3.85287
YE2 802-4	0.75	1.92	1420	79.6	79.8	77.5	0.71	5.04	2.5	2.1	2.6	5.7	58	16.0	0.00128
YE2 90S-4	1.1	2.75	1430	81.4	81.9	79.1	0.71	7.35	2.5	2.1	2.6	6.1	61	20.0	0.00315
YE2 90L-4	1.5	3.53	1430	82.8	83.4	80.4	0.74	10.02	2.5	2.0	2.6	6.5	61	24.0	0.00411
YE2 100L1-4	2.2	4.71	1430	84.3	85.5	83.6	0.80	14.69	2.2	2.0	2.6	6.6	64	34.0	0.00883
YE2 100L2-4	3	6.33	1435	85.5	85.7	83.9	0.80	19.97	2.2	2.0	3.0	7.6	64	35.0	0.01039
YE2 112M-4	4	8.23	1435	86.6	87.2	85.5	0.81	26.62	2.2	2.0	3.0	7.9	65	45.0	0.01369
YE2 132S-4	5.5	10.91	1440	87.7	89.2	87.1	0.83	36.48	2.2	1.8	3.0	8.8	71	63.0	0.02966
YE2 132M-4	7.5	14.70	1440	88.7	89.8	87.5	0.83	49.74	2.2	1.6	3.0	9	71	77.5	0.03981
YE2 132M2-4	9.2	17.82	1440	88.7	89.9	87.5	0.84	61.01	2.2	1.6	3.0	8.8	71	85.0	0.04700
YE2 160M-4	11	21.30	1440	89.8	91.7	91.0	0.83	72.95	2.5	1.6	2.5	7.1	75	119.0	0.08670
YE2 160L-4	15	27.47	1450	90.6	91.3	90.5	0.87	98.79	2.5	1.6	2.5	8.9	75	146.0	0.11272
YE2 180M-4	18.5	34.05	1450	91.2	91.8	90.8	0.86	121.8	2.5	1.6	2.8	8.6	76	161.0	0.14084
YE2 180L-4	22	39.4	1460	91.6	92.2	91.6	0.88	143.9	2.5	1.6	2.8	8.1	76	176.0	0.16541

YE2 Series IE2 Efficiency Motors Technical Data (400V/50Hz)

Model	Output (kW)	Rated current (A)	Rotation speed (r/min)	Efficiency 100% load(%)	Efficiency 75% load(%)	Efficiency 50% load(%)	Power factor(φ)	Rated torque(N.m)	Tst/Tn (Times)	Tmin/Tn (Times)	Tmax/Tn (Times)	Ist/In (Times)	Nosie (dB)	Net weight (kg)	Moment of inertia(kg*m ²)
YE2 200L-4	30	53.3	1460	92.3	92.8	91.9	0.88	196.2	2.5	2.1	3.0	8.5	79	242.0	0.27306
YE2 225S-4	37	65.5	1470	92.7	93.9	92.6	0.88	240.4	2.2	1.3	2.3	7.6	81	315.0	0.50439
YE2 225M-4	45	78.4	1480	93.1	94.2	92.8	0.89	290.4	2.2	1.3	2.3	7.7	81	340.0	0.59389
YE2 250M-4	55	98.7	1480	93.5	94.4	93.6	0.86	354.9	2.5	1.5	2.5	8.6	83	420.0	0.70950
YE2 280S-4	75	128.0	1480	94	94.9	93.7	0.90	484.0	2.5	2.0	2.5	9	86	580.0	1.59510
YE2 280M-4	90	153.2	1480	94.2	94.9	93.7	0.90	580.7	2.5	2.0	2.5	8.7	86	650.0	1.89187
YE2 315S-4	110	190.9	1480	94.5	94.8	93.2	0.88	709.8	2.0	1.3	2.8	7.4	93	938.0	3.09253
YE2 315M-4	132	226.1	1480	94.7	95.0	93.6	0.89	851.8	2.0	1.3	2.6	7	93	1030.0	3.48345
YE2 315L1-4	160	273.4	1480	94.9	95.0	93.5	0.89	1032.4	2.0	1.3	2.6	6	97	1106.0	3.98390
YE2 315L2-4	200	341.1	1480	95.1	95.3	93.9	0.89	1290.5	2.0	1.3	2.3	6	97	1220.0	4.67201
YE2 355M1-4	220	375.2	1480	95.1	95.9	94.1	0.89	1419.6	1.8	1.3	2.3	5.5	101	1560.0	6.87200
YE2 355M2-4	250	426.3	1480	95.1	95.8	94.0	0.89	1613.2	1.8	1.3	2.3	5.5	101	1600.0	7.63820
YE2 355L1-4	280	477.5	1480	95.1	95.9	94.3	0.89	1806.8	1.8	1.3	2.3	5.5	101	1650.0	8.31927
YE2 355L2-4	315	531.2	1480	95.1	96.0	94.2	0.90	2032.6	1.8	1.3	2.3	5.5	101	1700.0	9.08547
YE2 355L3-4	355	598.7	1480	95.1	96.0	94.2	0.90	2290.7	1.8	1.3	2.3	5.5	101	1780.0	10.10708
YE2 90S-6	0.75	2.23	935	75.9	76.4	73.8	0.64	7.66	2.0	1.8	2.2	5	57	19.6	0.00360
YE2 90L-6	1.1	2.99	935	78.1	78.6	77.6	0.68	11.24	2.0	1.8	2.2	5	57	23.5	0.00536
YE2 100L-6	1.5	3.72	940	79.8	80.2	78.3	0.73	15.24	1.6	1.6	2.2	5	61	32.0	0.00877
YE2 112M-6	2.2	5.39	940	81.8	82.5	79.0	0.72	22.35	2.0	1.8	2.5	6	65	39.0	0.01468
YE2 132S-6	3	6.93	940	83.3	84.0	82.2	0.75	30.48	1.6	1.5	2.2	6	69	54.0	0.03039
YE2 132M1-6	4	9.22	950	84.6	85.1	83.5	0.74	40.21	2.0	1.6	2.5	6	69	65.0	0.03785
YE2 132M2-6	5.5	12.47	950	86	86.8	85.4	0.74	55.29	2.0	1.8	2.5	7	69	66.0	0.04890
YE2 160M-6	7.5	17.5	960	87.2	88.3	86.7	0.71	74.6	2.5	1.8	2.8	9	73	112.0	0.08726
YE2 160L-6	11	23.9	960	88.7	88.6	87.5	0.75	109.4	2.5	1.4	2.8	9	73	132.6	0.12069
YE2 180L-6	15	30.9	960	89.7	90.8	89.3	0.78	149.2	2.5	1.5	2.8	9	73	179.0	0.25695
YE2 200L1-6	18.5	36.9	970	90.4	91.0	89.8	0.80	182.1	2.0	1.4	2.8	9	76	221.4	0.36147
YE2 200L2-6	22	42.6	970	90.9	91.5	90.1	0.82	216.6	2.5	1.8	2.8	10	76	240.6	0.42742
YE2 225M-6	30	55.6	975	91.7	92.3	91.2	0.85	293.8	2.5	1.5	2.2	9	76	335.0	0.67058
YE2 250M-6	37	69.0	975	92.2	93.0	91.8	0.84	362.4	1.8	1.3	2.2	7	78	391.4	0.99243
YE2 280S-6	45	82.4	980	92.7	92.7	91.9	0.85	438.5	2.3	1.4	2.3	8.5	80	514.0	1.78548
YE2 280M1-6	55	99.2	980	93.1	93.2	92.2	0.86	536.0	2.5	1.7	2.8	9	80	584.0	2.20792
YE2 315S-6	75	135.9	980	93.7	94	92.3	0.85	730.9	2.0	1.3	2.3	7	85	807.0	3.25976
YE2 315M-6	90	162.6	980	94	94.6	92.3	0.85	877.0	2.0	1.3	2.3	7	85	913.0	3.90933
YE2 315L1-6	110	198.1	980	94.3	94.8	92.4	0.85	1071.9	2.0	1.3	2.3	7	85	966.0	4.54331
YE2 315L2-6	132	236.9	980	94.6	94.9	92.4	0.85	1286.3	2.0	1.3	2.3	6.5	85	1080.0	5.53956
YE2 355M1-6	160	286.6	980	94.8	94.9	92.5	0.85	1559.2	2.0	1.3	2.3	6.5	92	1537.0	8.97637
YE2 355M2-6	200	357.5	980	95	95	92.6	0.85	1949.0	2.0	1.3	2.3	6.5	92	1720.0	11.00175
YE2 355L-6	250	446.9	980	95	95.2	92.6	0.85	2436.2	2.0	1.3	2.3	6.5	92	1880.0	13.56011

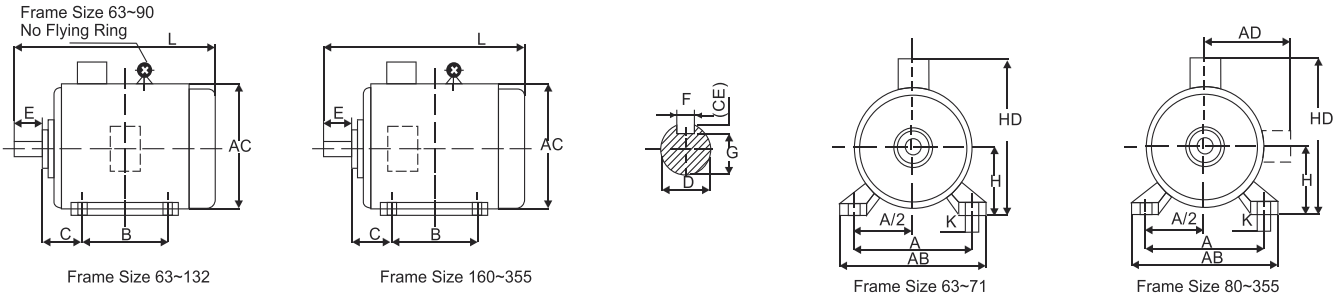
YE3 Series IE3 Efficiency Motors Technical Data (400V/50Hz)

Model	Output (kW)	Rated current (A)	Rotation speed (r/min)	Efficiency 100% load(%)	Efficiency 75% load(%)	Efficiency 50% load(%)	Power factor(Φ)	Rated torque(N.m)	Tst/Tn (Times)	Tmin/Tn (Times)	Tmax/Tn (Times)	Ist/In (Times)	Nosie (dB)	Net weight (kg)	Moment of inertia(kg*m ²)
YE3 801-2	0.75	1.68	2880	80.7	81.0	76.2	0.80	2.49	2.5	2.1	2.8	7.5	67	15.20	0.00093
YE3 802-2	1.1	2.40	2880	82.7	83.5	81.6	0.80	3.65	2.5	1.8	2.8	8	67	17.10	0.00128
YE3 90S-2	1.5	3.06	2880	84.2	84.9	84.0	0.84	4.97	2.5	1.8	2.8	8.5	72	21.5	0.00224
YE3 90L-2	2.2	4.45	2880	85.9	86.4	84.7	0.83	7.30	2.5	1.8	2.8	8.6	72	24.6	0.00279
YE3 100L-2	3	5.65	2900	87.1	88.5	86.8	0.88	9.88	2.5	2.0	2.8	9.5	76	35.5	0.00496
YE3 112M-2	4	7.28	2910	88.1	88.5	87.1	0.90	13.13	2.5	2.0	2.8	10.5	77	44.5	0.00744
YE3 132S1-2	5.5	10.11	2910	89.2	90.2	88.6	0.88	18.05	2.5	2.0	3.0	10	80	63.2	0.01468
YE3 132S2-2	7.5	13.50	2920	90.1	90.8	89.3	0.89	24.53	2.5	1.5	3.0	10	80	70.2	0.01903
YE3 132M1-2	9.2	16.47	2920	90.6	91.2	89.5	0.89	30.09	2.5	1.5	3.0	10	80	76.8	0.02048
YE3 160M1-2	11	19.34	2930	91.2	93.8	93.0	0.90	35.85	2.5	1.4	3.0	9.5	86	118.0	0.05178
YE3 160M2-2	15	26.18	2940	91.9	93.1	92.9	0.90	48.72	2.5	1.4	3.0	10	86	128.0	0.06206
YE3 160L-2	18.5	31.76	2940	92.4	93.5	93.3	0.91	60.09	2.5	1.4	3.0	9.5	86	144.00	0.07669
YE3 180M-2	22	38.5	2945	92.7	94.1	93.6	0.89	71.34	2.5	1.4	3.0	9	89	183.40	0.09665
YE3 200L1-2	30	52.1	2945	93.3	93.8	93.2	0.89	97.3	2.5	1.5	2.5	8.5	92	247.00	0.17351
YE3 200L2-2	37	64.0	2945	93.7	94.4	94.2	0.89	120.0	2.5	1.5	2.5	8.5	92	268.00	0.20008
YE3 225M-2	45	75.9	2950	94	94.6	94.1	0.91	145.7	2.5	1.4	2.5	8.5	92	369.00	0.34366
YE3 250M-2	55	93.5	2960	94.3	94.5	93.1	0.90	177.4	2.5	1.4	2.6	10	93	428.00	0.44434
YE3 280S-2	75	125.6	2960	94.7	94.9	93.7	0.91	242.0	2.5	1.8	2.6	10	94	587.30	0.82911
YE3 280M-2	90	150.3	2960	95	95.2	94.3	0.91	290.4	2.5	1.8	2.6	10	94	655.00	0.98168
YE3 315S-2	110	185.3	2960	95.2	95.5	94.6	0.90	354.9	2.0	1.4	2.3	7	96	980.00	1.70352
YE3 315M-2	132	221.9	2960	95.4	95.5	94.7	0.90	425.9	2.0	1.4	2.3	7	96	1100.00	1.93860
YE3 315L1-2	160	267.8	2960	95.8	95.8	94.5	0.90	516.2	2.0	1.4	2.3	7	99	1155.00	2.19758
YE3 315L2-2	200	334.8	2960	95.8	96.0	94.7	0.90	645.3	2.0	1.4	2.3	7	99	1260.00	2.55368
YE3 355M1-2	220	394.6	2960	95.8	96.2	94.8	0.84	709.8	2.0	1.5	2.3	6.5	103	1590.00	2.95585
YE3 355M2-2	250	448.4	2960	95.8	96.2	94.8	0.84	806.6	2.0	1.5	2.3	6.5	103	1650.00	3.14272
YE3 355L1-2	280	502.2	2960	95.8	96.2	94.8	0.84	903.4	2.0	1.5	2.3	6.5	103	1715.00	3.47911
YE3 355L2-2	315	558.3	2960	95.8	96.2	94.8	0.85	1016.3	2.0	1.5	2.3	6.5	103	1780.00	3.85287
YE3 802-4	0.75	1.90	1420	82.5	82.8	80.6	0.69	5.04	2.8	2.2	2.8	6.3	58	18.20	0.00155
YE3 90S-4	1.1	2.62	1430	84.1	84.6	83.2	0.72	7.35	2.8	2.2	2.8	6.8	61	23.00	0.00372
YE3 90L-4	1.5	3.63	1430	85.3	86.1	85.2	0.70	10.02	2.8	2.2	3.0	7.3	61	26.30	0.00469
YE3 100L1-4	2.2	4.52	1430	86.7	87.8	85.2	0.81	14.69	2.8	2.2	3.0	8	64	35.50	0.00922
YE3 100L2-4	3	6.33	1435	87.7	88.0	85.9	0.78	19.97	2.5	2.2	3.0	8.2	64	38.50	0.01195
YE3 112M-4	4	7.95	1440	88.6	88.9	87.5	0.82	26.53	2.5	2.2	3.0	8.6	65	47.00	0.01545
YE3 132S-4	5.5	10.67	1440	89.6	90.9	88.9	0.83	36.48	2.5	1.8	3.0	9	71	68.30	0.03397
YE3 132M-4	7.5	14.09	1440	90.4	91.3	91.2	0.85	49.74	2.5	1.6	3.0	9	71	79.00	0.04412
YE3 132M2-4	9.2	17.19	1440	90.9	91.8	90.5	0.85	61.01	2.5	1.6	3.0	9	71	87.50	0.04700
YE3 160M-4	11	20.68	1450	91.4	92.2	91.7	0.84	72.45	2.5	1.3	3.0	10	75	127.00	0.10355
YE3 160L-4	15	27.33	1450	92.1	92.9	92.2	0.86	98.8	2.5	1.3	2.8	8.5	75	160.00	0.13750
YE3 180M-4	18.5	33.5	1460	92.6	93.6	93.0	0.86	121.0	2.5	1.8	3.0	9	76	169.40	0.15530
YE3 180L-4	22	39.2	1460	93	93.7	92.9	0.87	143.9	2.5	1.8	3.0	10	76	196.00	0.19433

YE3 Series IE3 Efficiency Motors Technical Data (400V/50Hz)

Model	Output (kW)	Rated current (A)	Rotation speed (r/min)	Efficiency 100% load(%)	Efficiency 75% load(%)	Efficiency 50% load(%)	Power factor (Φ)	Rated torque(N.m)	Tst/Tn (Times)	Tmin/Tn (Times)	Tmax/Tn (Times)	Ist/In (Times)	Nosie (dB)	Net weight (kg)	Moment of inertia(kg*m ²)
YE3 200L-4	30	57.1	1470	93.6	93.7	93.2	0.81	194.9	2.5	1.8	2.8	9	79	252.00	0.29441
YE3 225S-4	37	65.4	1470	93.9	95.2	94.3	0.87	240.4	2.5	1.4	2.5	9.2	81	324.50	0.57838
YE3 225M-4	45	79.3	1470	94.2	95.2	94.5	0.87	292.3	2.5	1.5	2.5	9	81	352.90	0.65309
YE3 250M-4	55	95.4	1470	94.6	95.2	94.5	0.88	357.3	2.5	1.8	2.5	8.5	83	427.40	0.76504
YE3 280S-4	75	131.0	1480	95	95.1	94.8	0.87	484.0	2.5	1.8	2.8	10	86	673.30	1.99603
YE3 280M-4	90	160.5	1480	95.2	95.1	95.0	0.85	580.7	2.5	1.8	2.8	10	86	692.00	2.18345
YE3 315S-4	110	189.1	1480	95.4	95.7	94.6	0.88	709.8	2.2	1.5	2.6	9	93	1027.00	3.71808
YE3 315M-4	132	226.5	1480	95.6	95.8	95.0	0.88	851.8	2.2	1.5	2.6	9	93	1155.00	4.29667
YE3 315L1-4	160	273.9	1480	95.8	96.0	95.1	0.88	1032.4	2.2	1.5	2.6	9	97	1240.00	5.10990
YE3 315L2-4	200	337.9	1480	96	96.2	95.3	0.89	1290.5	2.2	1.5	2.6	9	97	1400.00	6.17334
YE3 355M1-4	220	371.7	1480	96	96.2	95.3	0.89	1419.6	2.0	1.3	2.3	8	101	1560.00	7.04227
YE3 355M2-4	250	422.3	1480	96	96.3	95.4	0.89	1613.2	2.0	1.3	2.3	8	101	1600.00	7.63820
YE3 355L1-4	280	473.0	1480	96	96.4	95.4	0.89	1806.8	2.0	1.3	2.3	8	101	1650.00	8.31927
YE3 355L2-4	315	532.1	1480	96	96.3	95.5	0.89	2032.6	2.0	1.3	2.3	8	101	1700.00	9.34080
YE3 90S-6	0.75	2.05	935	78.9	79.6	77.2	0.67	7.66	2.0	1.8	2.2	5	57	21.50	0.00435
YE3 90L-6	1.1	2.97	940	81	81.5	80.2	0.66	11.18	2.3	1.8	2.2	5.2	57	25.50	0.00611
YE3 100L-6	1.5	3.55	940	82.5	83.0	81.6	0.74	15.24	2.0	1.7	2.2	5.2	61	33.50	0.00972
YE3 112M-6	2.2	5.38	940	84.3	85.0	83.2	0.70	22.35	2.0	1.8	2.2	6.2	65	40.00	0.01637
YE3 132S-6	3	6.84	940	85.6	86.1	84.5	0.74	30.48	2.0	1.7	2.2	6	69	59.00	0.03223
YE3 132M1-6	4	8.99	950	86.8	87.6	85.2	0.74	40.21	2.0	1.6	2.5	7	69	75.50	0.04338
YE3 132M2-6	5.5	12.71	950	88	88.8	86.9	0.71	55.29	2.3	1.8	2.5	7.5	69	76.30	0.05443
YE3 160M-6	7.5	16.2	960	89.1	90.3	88.0	0.75	74.6	2.3	1.4	2.8	7.5	73	112.00	0.08726
YE3 160L-6	11	23.1	960	90.3	91.2	88.5	0.76	109.4	2.5	1.4	2.8	8.5	73	134.00	0.13544
YE3 180L-6	15	30.1	960	91.2	92.0	90.3	0.79	149.2	2.5	1.4	2.8	8	73	184.50	0.27973
YE3 200L1-6	18.5	36.4	970	91.7	92.3	90.6	0.80	182.1	2.5	1.4	2.8	9.5	76	231.00	0.38345
YE3 200L2-6	22	42.5	970	92.2	93.0	91.3	0.81	216.6	2.5	1.5	2.8	10	76	249.00	0.44941
YE3 225M-6	30	53.0	975	92.9	93.8	90.9	0.88	293.8	1.8	1.5	2.2	7	76	339.00	0.67058
YE3 250M-6	37	67.3	975	93.3	94.0	91.8	0.85	362.4	1.8	1.3	2.0	7	78	399.40	0.99243
YE3 280S-6	45	83.5	980	93.7	94.6	92.7	0.83	438.5	2.5	1.8	2.8	10	80	551.00	2.20274
YE3 280M1-6	55	99.3	980	94.1	95.0	93.4	0.85	536.0	2.5	1.8	2.8	10	80	624.30	2.57302
YE3 315S-6	75	139.6	980	94.6	94.8	93.2	0.82	730.9	2.0	1.3	2.3	7.5	85	860.00	3.80317
YE3 315M-6	90	166.9	980	94.9	95	93.4	0.82	877.0	2.0	1.3	2.3	7.5	85	970.00	4.45274
YE3 315L1-6	110	203.6	980	95.1	95.4	94	0.82	1071.9	2.0	1.3	2.3	7.5	85	1070.00	5.53956
YE3 315L2-6	132	243.6	980	95.4	95.7	94.2	0.82	1286.3	2.0	1.3	2.3	7.5	85	1196.00	6.62638
YE3 355M1-6	160	294.6	980	95.6	95.8	94.3	0.82	1559.2	2.0	1.3	2.3	7.5	92	1537.00	8.97637
YE3 355M2-6	200	367.5	980	95.8	95.8	94.3	0.82	1949.0	2.0	1.3	2.3	7.5	92	1720.00	11.00175
YE3 355L1-6	220	404.2	980	95.8	96	94.2	0.82	2143.9	2.0	1.3	2.3	7.5	92	1800.00	11.64134
YE3 355L-6	250	459.3	980	95.8	96	94.3	0.82	2436.2	2.0	1.3	2.3	7.5	92	1880.00	13.56011

IM B3



Installation Dimension

Frame No.	Poles	Mounting Dimensions & Tolerance											Frame Dimensions													
		A	A/2	B	C	D	E	F	G ¹⁾	H	K ²⁾	AB	AC	AD	HD	L										
80	2,4,6,8	125	62.5	100	50	19	40	6	15.5	80	10	165	175	145	220	295										
90S		140	70	100	56											±1.5	24	50	±0.31	20	90	180	195	155	250	320
90L				125																						24
100L		160	80	140	63	±2.0	28	60	±0.37	0 -0.036	24	100	205	215	180	270	385									
112M		190	95	140	70												38	80	10	33	132	230	240	190	300	400
132S		216	108	140	89	±3.0	48	110	±0.43	14	42.5	180	355	380	280	455	700									
132M				178													38	80	10	33	132	270	275	210	345	510
160M		254	127	210	108	±3.0	48	110	±0.43	14	42.5	180	355	380	280	455	700									
160L				254													42	80	10	33	132	270	275	210	345	510
180M		279	139.5	241	121	±3.0	48	110	±0.43	14	42.5	180	355	380	280	455	700									
180L				279													48	110	±0.43	14	42.5	180	355	380	280	455
200L		318	159	305	133	±4.0	55	140	±0.50	18	0 -0.20	250	490	510	370	615	910									
225S	4,8	356	178	286	149												60	140	±0.50	18	0 -0.043	53	490	510	370	615
225M	2			311		55	110	±0.43	16	49	225	19	435	470	335	560	820									
	4,6,8			60		53	225	19	435	470	335	560	820	845												
250M	2	406	203	349	168	65	140	±0.43	18	0 -0.20	250	490	510	370	615	910										
	4,6,8															65	58	250	0 -1.0	58	250	490	510	370	615	910
280S	2	457	228.5	368	190	75	140	±0.43	20	0 -0.052	67.5	550	580	410	680	985										
	4,6,8															75	67.5	280	24	550	580	410	680	1035		
280M	2															419	65	18	0 -0.043	58	280	24	550	580	410	680
	4,6,8	419	75	20	0 -0.052	67.5	280	24	550	580	410	680	1035													
315S	2	508	254	406	216	65	170	±0.50	18	0 -0.043	58	635	645	530	845	1185										
	4,6,8,10															80	22	0 -0.052	71	315	635	645	530	845	1215	
315M	2															457	65	18	0 -0.043	58	315	635	645	530	845	1295
	4,6,8,10	457	80	22	0 -0.052	71	315	635	645	530	845	1325														
315L	2	508	254	406	216	65	140	±0.50	18	0 -0.043	58	635	645	530	845	1295										
	4,6,8,10															80	22	0 -0.052	71	315	635	645	530	845	1325	
355M	2															610	305	560	254	75	140	±0.50	20	67.5	355	730
	4,6,8,10	95	25	0 -0.052	86	355	730	710	655	1010	1530															
355L	2	630	75	20	+0.035 +0.013	170	25	0 -0.052	67.5	355	730	710	655	1010	1500											
	4,6,8,10	630	95	25	+0.035 +0.013	170	25	86	355	730	710	655	1010	1530												

